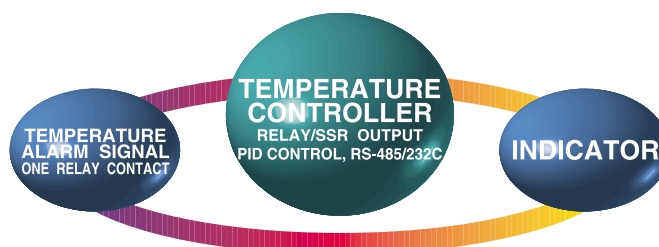
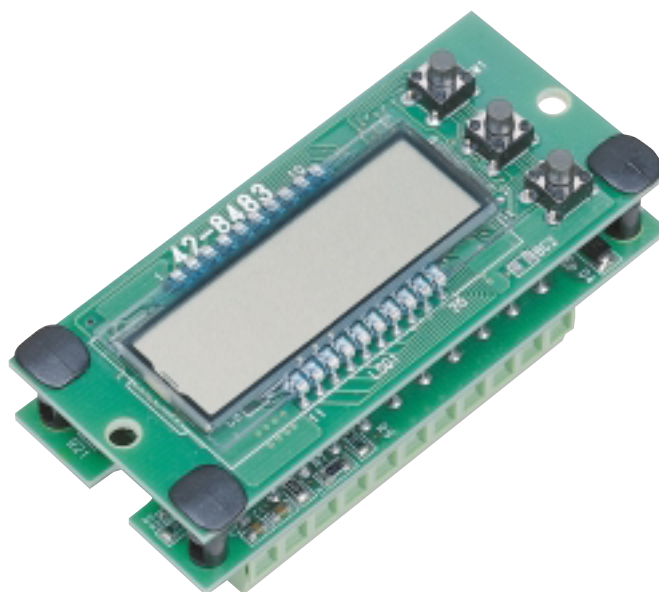


SIMPLIFIED TEMPERATURE CONTROLLER

NEW TYPE OF TEMPERATURE CONTROLLER COMPACT, MULTIPLE FUNCTIONS, VERY LOW PRICE



TTM-10L shows temperature precisely with clear LCD (Liquid Crystal Display) indication as TEMPERATURE INDICATOR, with Relay/SSR output as ALARM SIGNAL or TEMPERATURE CONTROLLER.



Surface key operation

APPLICATION EXAMPLES

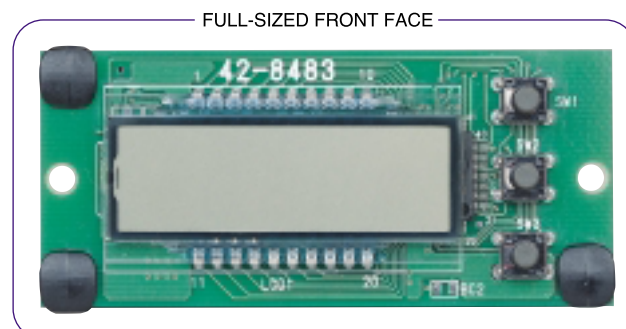
A. TEMPERATURE ALARM SIGNAL



B. TEMPERATURE CONTROLLER



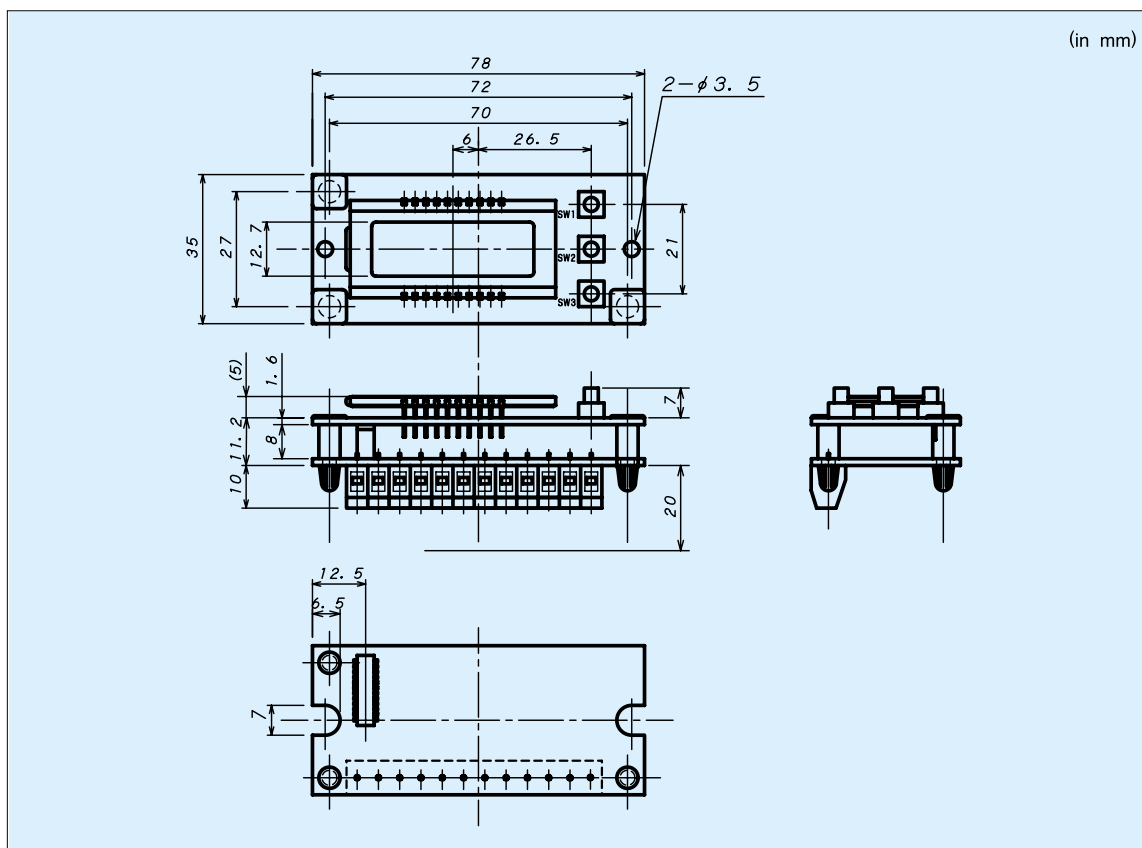
C. INDICATOR



※Communication RS-485/232C available at your request.
 ※Power Sources : 24V,12V DC (selectable)

TEMPERATURE CONTROLLER TTM-10L

■ DIMENSIONS



■ SPECIFICATIONS

| TTM-10L | | |
|-------------------------------|---------------------|---|
| INPUT | Thermocouple/R.T.D. | K, J, E, T, N, W5Rc/W6Rc, R, S, PT100, JPT100 |
| | Current | 4 to 20mA DC |
| OUTPUT | Relay Contact | 1a contact 250V AC, 3A (Load resistance) |
| | SSR drive | 12V (Load resistance : more than 600Ω) |
| SAMPLING CYCLE | | 0.5 sec. |
| SETTING & INDICATING ACCURACY | Thermocouple | ±(0.5% + 1 digit) or 4°C (8°F) (Whichever is on the larger) |
| | R.T.D. | ±(0.5% + 1 digit) or 1.2°C (2.4°F) (Whichever is on the larger) |
| | Current | ±(0.5% + 1 digit) of span |
| ALARM OUTPUT | Sensitivity | T/C = 0~9999°C (°F), R.T.D. = -199~999°C (°F) or |
| | Setting range | 0~999.9°C (°F), Current = 0~9999 |
| | Rating | 250V AC, 0.5A (Resistance load) or 125V AC 1A, Contact 1a |
| MEMORY | | EEPROM |
| POWER SOURCE | | 24V DC, 12V DC selectable |
| OPERATING CONDITION | | 0 to 50°C, 35 to 85% RH no condensation |

■ ORDERING INFORMATION

